

# NEWS

*Attention to detail at every stage*



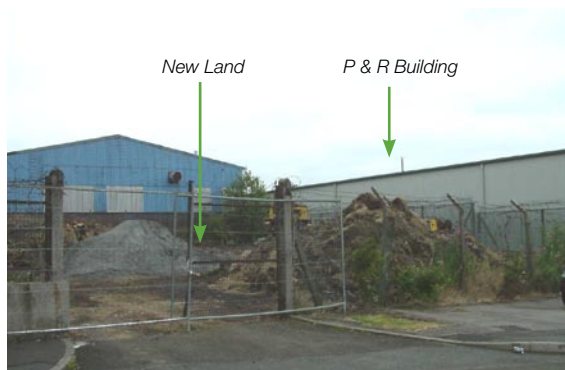
ISSUE : 32

## New 5 acre site for P&R and Plasteknik

P&R and sister company Plasteknik have purchased a 5-acre site locally with the intention of building a 100,000 sq ft building that will house both companies. Plans for completion are estimated late in 2007.

Objectives are obviously to design and plan a purpose built injection mould and tool making facility whilst maximising the efficiencies and synergy of both business in one location.

The latest development of this exciting new project will be shown on our website nearer the time.



## New Home for Cell 6

Recently acquired land just to the back of P&R will soon be developed to house our manufacturing cell No 6. The 5000 sq ft premises will be dedicated to several key bespoke customers from differing industries. This will free up essential workspace for our own internal ranges and high value lines.

The new unit will also create storage space that is currently at premium here at P&R. We see this as a crucial step in providing our glass and glazing customers with full and on time deliveries with product in stock and on the shelf.

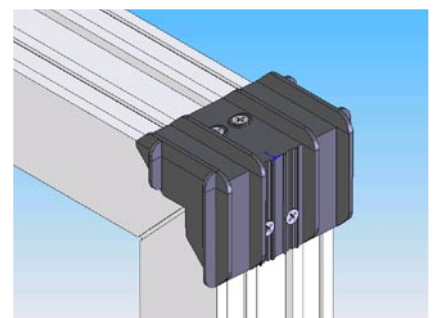
## P&R sell into 1st Travis Perkins branch



The countries largest chain of Builders Merchants Travis Perkins is now a customer of P&R. Ok it's only a taster order at the moment but we will do all we can to turn Travis Perkins into a serious account. The products are mainly window fitting parts but we feel they have hundreds of applications in the building industry especially the way that we are packing them.

## New 70mm Corner Frame Protector (60mm on the way)

Sales of the new 70mm Corner Frame Protector are now beginning to take shape as our distributors and indeed the end users become more familiar with it. Not far behind now is the 60mm variant. Samples of which should be available by Mid September



## The Boss cycles for charity

P&R's MD Mr Alan Rothwell joined various window industry figures in a sponsored bicycle charity ride from John O Groates to Lands End. Covering 975 miles in 12 days the team raised £45,000 for Hope House, which cares for terminally ill children.

Alan who described the event as a 'once in a lifetime achievement' trained with the team in Majorca at the Triathlon Centre in Polensa building stamina and developing the discipline required to cycle as a team.

The ride was not without incident and in particular Gary Morton of CRC Conservatory Roof Craft was extremely lucky not to have suffered serious injury during a fall, which could have easily ruled him out of the ride he spent months organising.



## Dave helps out on the shortest leg

Various guest riders joined the team throughout the 12 stages and pictured here are P&R's Dave Bowden with Roy Frost from Everest and Steve Gardiner from Wendland Roof Solutions. By strange coincidence Dave's leg just 'happened' to be the shortest at 69 miles and by far the flattest making it the easiest leg of the ride. Asked about this by a dubious Alan his reply was that it just happened to be the leg that he could get a lift too and picked up from mmmmmmm! What do you think!

Roy Frost (Everest), Steve Gardiner (Wendland), Dave Bowden (P&R)



## Sales Team run for charity

On Sunday 10th July our sales girls joined 2,500 other enthusiastic runners/walkers to complete the Race for Life, a well known race around the UK to raise money for Cancer Research. The course took the girls over 5km around Alexander Park and even though the weather was scorching the girls managed to complete the 'walk' in approximately 60 minutes and raised £700. Well done girls!

Rachel, Jo, Sue, Charlie and Lisa