

# NEWS

Attention to detail at every stage



ISSUE : 33

## New AGIE EDM Machine

Christmas has been and gone and in the busy business lives we lead mostly forgotten about. But during the 10 days P&R were closed the new Agie EDM Machine with its 20 electrode magazine quietly worked on eroding away at the steel strapped to its bed. Finishing its 244 hours run at lunchtime on our first day back it set a new record in lights out tool manufacture (for us anyway). Well worth the Italian super sports car price tag (or so some say)

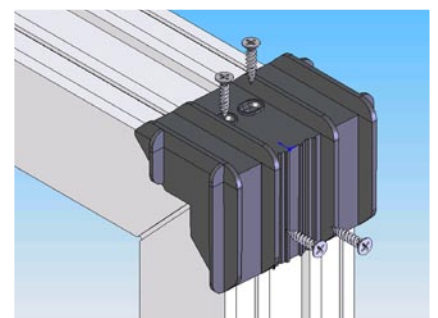


## New 5000 sq ft Unit

Our new 5000 sq ft satellite unit is now complete and moving in is underway. Completed in just 12 weeks this new facility will house certain cells and alleviate some of our space issues.

## 58mm & 70mm Corner Frame Protectors

Did you know we now do a range of Corner Protectors. Both are screw in type and fit any profile of those widths. Sales are going fast; please contact the sales girls for samples.



# NEWS

Attention to detail at every stage



ISSUE : 33

## Welcome SCORPION AUTOMOTIVE

Electro Systems the parent company bought the rights to the name of this manufacturer of under the bonnet alarm system for trucks, vans and wagons. They also bought the tooling, which after a brief search Scorpion chose P&R to mould, and the tools (17 of them) duly arrived from Italy their home for the last 10 years. Our specification to TS16949 played a major part in winning the business and Alan Revall their Materials Manager said and we quote "one of the best tooling and moulding operations I've ever seen" (here's a fiver Alan)



## SOVMAN

To keep up with the growing industry and our customer demands P&R have introduced an additional package to our existing Sage computer software called Sovman. This stands for Sovereign Manufacturing and is a suite of modules that bolt onto our Sage system.

The modules it covers are: **Capacity Planning**, **Bill of materials** and **Works orders**. By introducing Sovman it will enable better and more accurate stock control and capacity planning. It will also provide an accurate overview of our manufacturing process and what stage an order is up to.

## Kart Challenge Race Day

Due to bank holidays and FA Cup Final this year's karting challenge takes place slightly later on Saturday 3rd June. The challenge will take place at the Teesside track in Middlesbrough and once again is guaranteed an entertaining and vigorous, fun packed day. Interested please contact Joanna on 0161 621 5000 for details.



## Welcome Baby Bowden

Congratulations to Dave Bowden (Sales & Marketing Manager) and his wife Lindsay who gave birth to their first child. Baby Harry David was born safely on Tuesday 7th March at 8.50pm. Both mother and baby are happy and comfortable at home and I believe the delighted father has taken to fatherhood like a "duck to water" and the word is he has already ordered his sons first racing suit. (As you can see from the photo he definitely has his mothers good looks).

